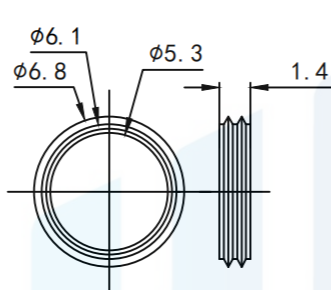
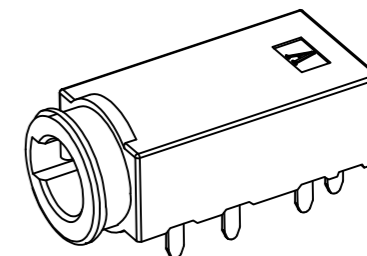
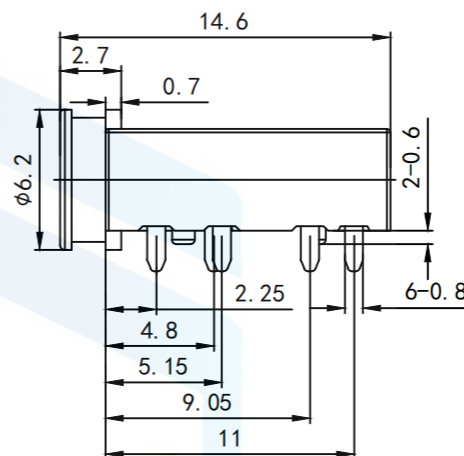


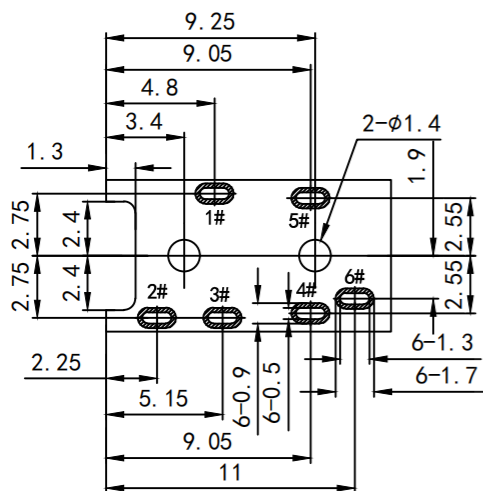
RoHS2.0  
Compliant



BLACK WATERPROOF RING



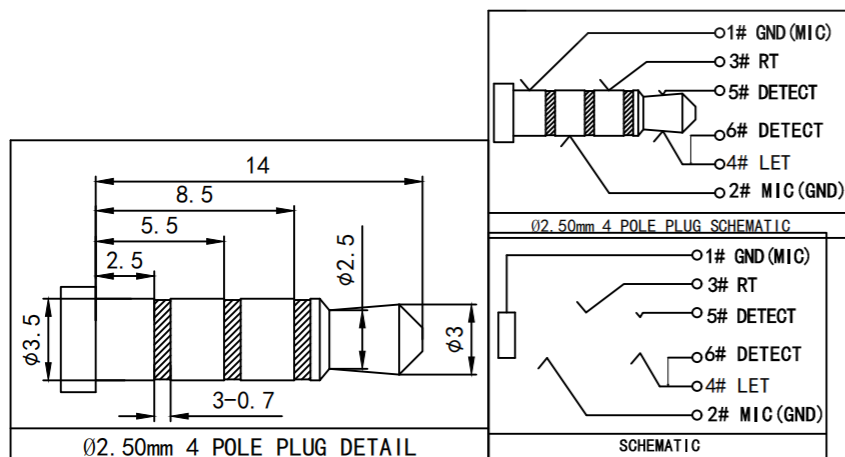
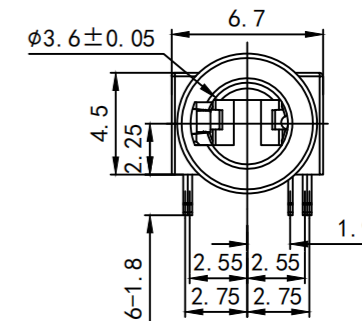
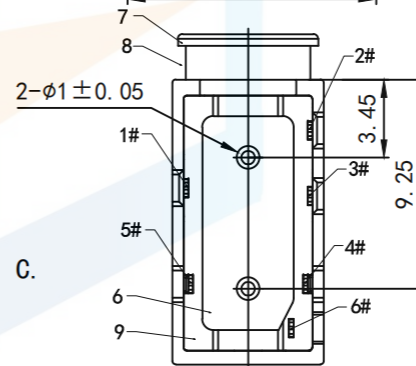
3D VIEW



PCB LAYOUT (TOP VIEW)  
TOLERANCE:  $\pm 0.05$

NOTES

1. CURRENT RATING: 1A.
2. CONTACT RESISTANCE: 100m $\Omega$  MAX.
3. INSULATION RESISTANCE: 100M $\Omega$  MIN.
4. DIELECTRIC WITHSTANDING: 500V AC MIN.
5. DURABILITY: 5000 CYCLES MIN.
6. CONNECTOR MATING FORCES: 3~30N.
7. CONNECTOR UNMATING CORCES: 3~30N.
8. OPERATING TEMPERATURE: -25° C TO +85° C.
9. WATERPROOF LEVEL: IP67



TOLERANCE	X. XXX	$\pm 0.05$		东莞市恒祺电子科技有限公司 Dongguan Hengqi Electronic Technology Co., Ltd	
	X. XX	$\pm 0.15$		<a href="https://www.hq-dz.com">https://www.hq-dz.com</a> phone: 15812872448	
PROTECTON 	X. X	$\pm 0.20$	TITLE: 防水耳机插座		PART NO: PJ-1303
	X.	$\pm 0.30$	DRAWN:		DATE: 18-10-08      UNIT: mm
	ANGLE	$\pm 5.0^\circ$	CHECKED:		DATE: 18-10-08      SCALE: FULL
			APPROVED:		DATE: 18-10-08      SIZE: A4