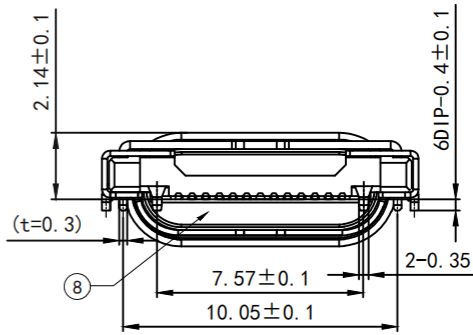
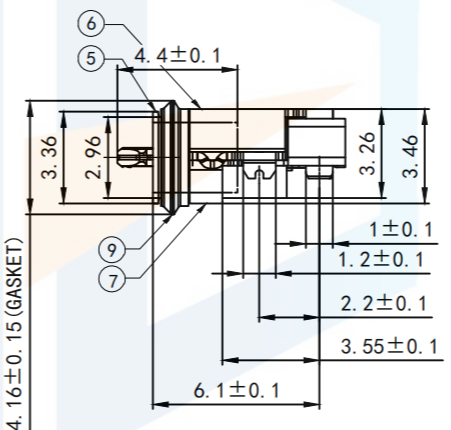
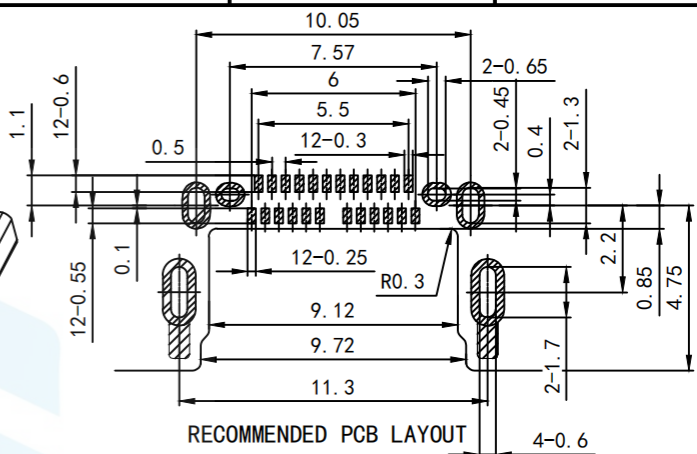
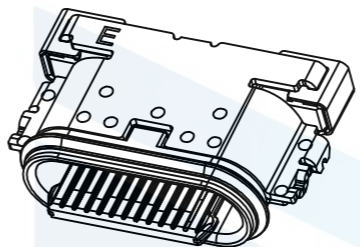
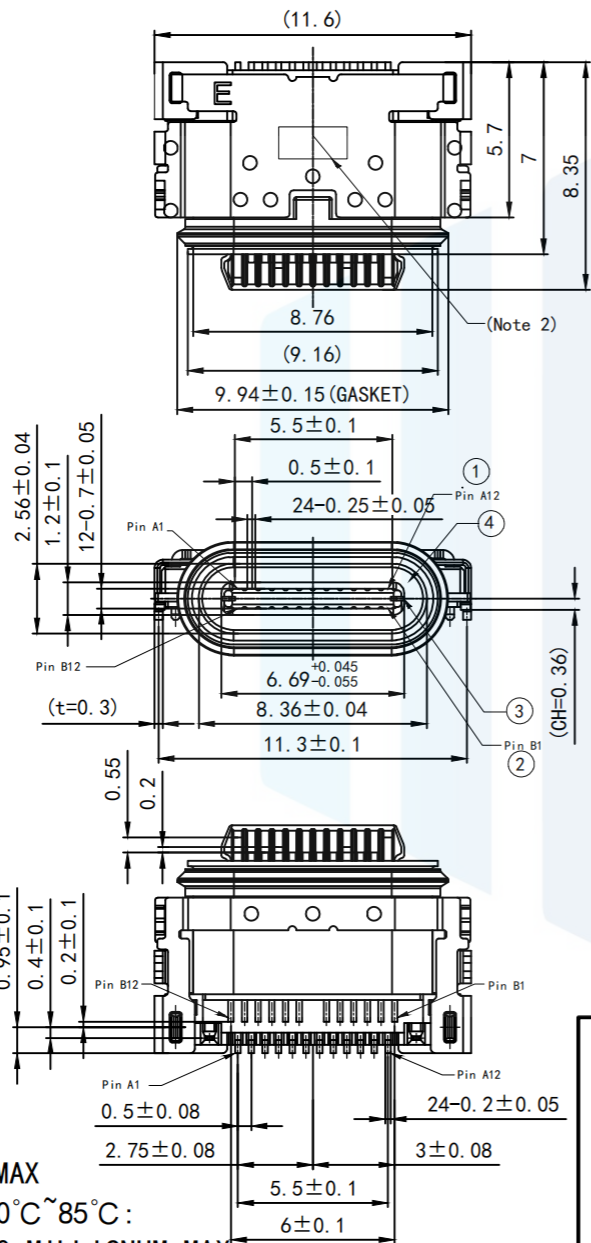
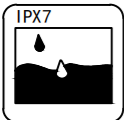


RoHS2.0
Compliant



- NOTES:
- CURRENT RATING: 5.0A MAX
 - TEMPERATURE RANGE: -30°C ~ 85°C
 - CONTACT RESISTANCE: 40 MILLIONHM MAX.
 - INSULATION RESISTANCE: 100 MEFOHMS MIN
 - DIELECIRIC WITHSTANDING VOLTAGE: 100 VAC
 - INSERTION FORCE: 5N~20N
 - NMATING FORCE: 8N~20N
 - DURABILITY: 10,000 CYCLES.

TOLERANCE			东莞市恒祺电子科技有限公司		
X. XXX	±0.05		Dongguan Hengqi Electronic Technology Co., Ltd		
X. XX	±0.15	https://www.hq-dz.com		phone: 15812872448	
X. X	±0.20	TITLE: TYPE C 24PIN沉板CH=0.36 双排全贴防水母座G7		PART NO: TYPE-C24P-FS0G7	
X.	±0.30			DRAWING NO: 11.3*8.35*4.16	
ANGLE	±5.0°	DRAWN: _____ CHECKED: _____ APPROVED: _____		DATE: 18-10-08	
PROTECTON 				DATE: 18-10-08	UNIT: mm
				DATE: 18-10-08	SCALE: FULL
		DATE: 18-10-08		SIZE: A4	